



Job Name: \_\_\_\_\_

Type: \_\_\_\_\_

Part #: \_\_\_\_\_

Notes: \_\_\_\_\_

# Color & Power **SELECTABLE** **LED FULL CUTOFF WALL PACK** 63/45/30 & 125/105/76 WATTS with **PhotoCell**

The ALS-WPFC series is available in lumen packages from 4,650 to 19,375 lumens with a wide and even distribution.

A high-quality polycarbonate lens, which works with a high-efficiency light engine to provide superior illumination.

It comes with a photocell as a standard feature and an emergency battery backup as an optional feature.

Designed for demanding outdoor environments, this full cut-off LED wall pack combines robust construction with precision optics for dependable, glare-free illumination.

The sealed, corrosion-resistant housing protects internal components from harsh weather, ensuring long service life in commercial and industrial settings.

The streamlined design makes it a direct replacement for legacy HID fixtures, delivering immediate energy savings and improved light quality without complicated installation.

This fixture features a factory-installed photocell with a removable sun shield, allowing contractors and facility managers to optimize sensor performance based on installation conditions.



## Ordering Information

**Example:** ALS-WPFC-63/45/30-3/4/5K-BZ-PC-EM

MODEL	Wattage	Finish	Photocell
ALS-WPFC	<b>63/45/30-3/4/5K</b> <b>125/105/76-3/4/5K</b>	<b>BZ</b> - Bronze <b>BK</b> - Black	<b>PC</b>
	* To add OPTIONAL Emergency LED Driver	<b>EM</b>	



Job Name: \_\_\_\_\_

Type: \_\_\_\_\_

Part #: \_\_\_\_\_

Notes: \_\_\_\_\_

## General Specifications

### Construction:

◆ Rugged die-casting aluminum housing with bronze powder coating for durability. Castings are sealed with integral gaskets to prevent the ingress of external contaminants

### Optics:

◆ CCT Selectable 3000K or 4000K or 5000K (5k being the default setting), CRI >70

### Electrical:

◆ 0-10V dimmable driver. Which can dim from 100% down to off.  
 ◆ Input voltage 120-277V, and 50/60Hz.  
 ◆ Designed to withstand surges of up to L/N-PE:6kV and L-N:4kV.

### Finish:

◆ Dark Bronze is standard.

### Mounting:

◆ Wall mount is suitable for indoor or outdoor applications and easy to modify.

### Ambient Temperature::

◆ -40°F (-40°C) to 113°F (50°C)

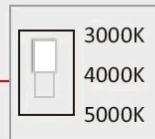
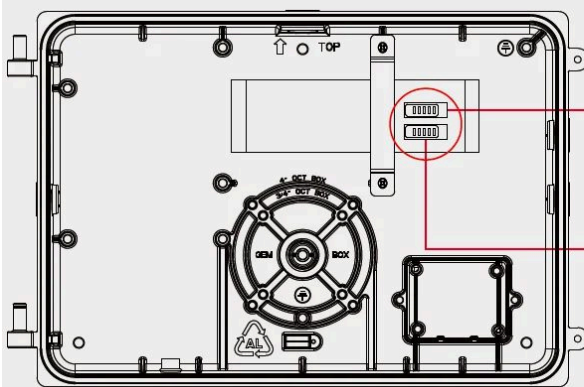
### Compliances:

◆ cULus listed for wet locations, max ambient temperature rating 45°C  
 DLC®(DesignLights Consortium) Qualified. Please refer to the DLC website for specific product qualifications at [www.designlights.org](http://www.designlights.org)

### Warranty:

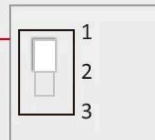
◆ 5-year limited warranty.

## Color & Wattage Select



### CCT Setting

Adjust CCT between 3000/4000/5000K, 5000K default setting



### Power Setting

Size	Power Selection	Default Setting
Small	Adjust power between 63/45/30W	63W
	Adjust power between 90/63/45W	90W
Large	Adjust power between 125/105/76W	125W

Note: Before Setting Power & CCT, loosen the 2 captive screws in the side of front housing, remove the front case set carefully from the back plate.

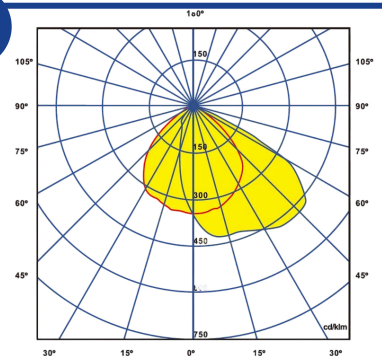


WATTAGE SELECTABLE



WATTAGE SELECTABLE

## Photometrics





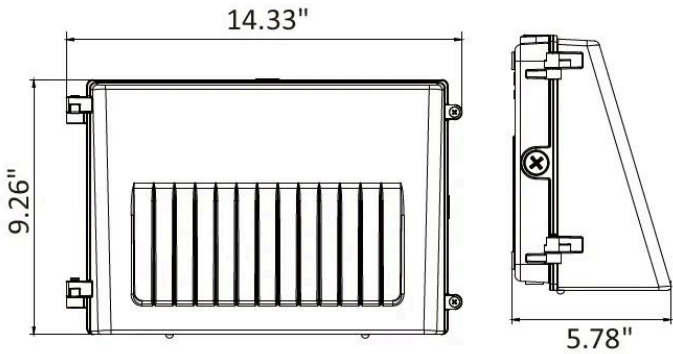
Job Name: \_\_\_\_\_

Type: \_\_\_\_\_

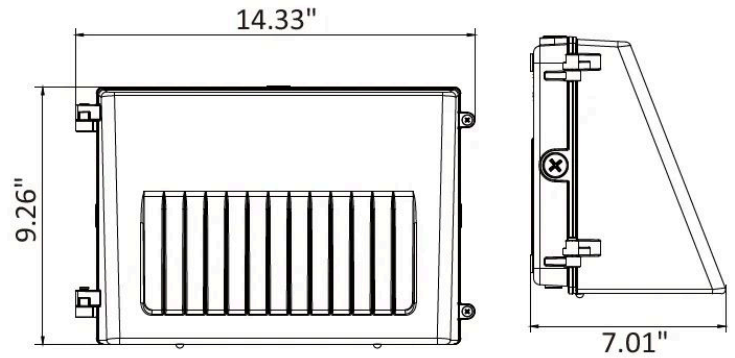
Part #: \_\_\_\_\_

Notes: \_\_\_\_\_

**Dimensions**



63/45/30-3/4/5K



125/105/76-3/4/5K

**Photocell**



w/ Sunshade Cover

**OPTIONAL Emergency LED Driver**



Emergency test button indicator on bottom of fixture



**Applications**

