



Job Name: _____

Type: _____

Part #: _____

Notes: _____

TRADITIONAL STYLE

Color & Power **SELECTABLE**
WALL PACK *with Photocell*
40/60/80 & 80/100/120 Watt

These wall packs designed for easy, code-compliant exterior lighting upgrades on standard 120–277V service. Field-selectable switches let you set the fixture to 40W, 60W, or 80W on the **ALS-TWP-40/60/80W-BZ** and 80W, 100W, or 120W on the **ALS-TWP-80/100/120W-BZ** to 3000K, 4000K, or 5000K color temperature, so you can cover a wide range of project needs.

These fixtures feature a rugged, die-cast aluminum housing with a bronze powder coat finish and a high-transparency tempered glass lens for maximum durability and light transmission. It is fully sealed and rated IP65 for wet locations, making it suitable for any outdoor commercial or industrial application. The traditional wall pack form factor and junction box mounting make retrofits straightforward.



Ordering Information

Example: ALS-TWP-80/100/120W-BZ

MODEL	Wattage	
ALS-TWP	40/60/80W-BZ	(5,600/8,400/11,200Lm)
	80/100/120W-BZ	(11,200/14,000/16,800Lm)



Job Name: _____

Type: _____

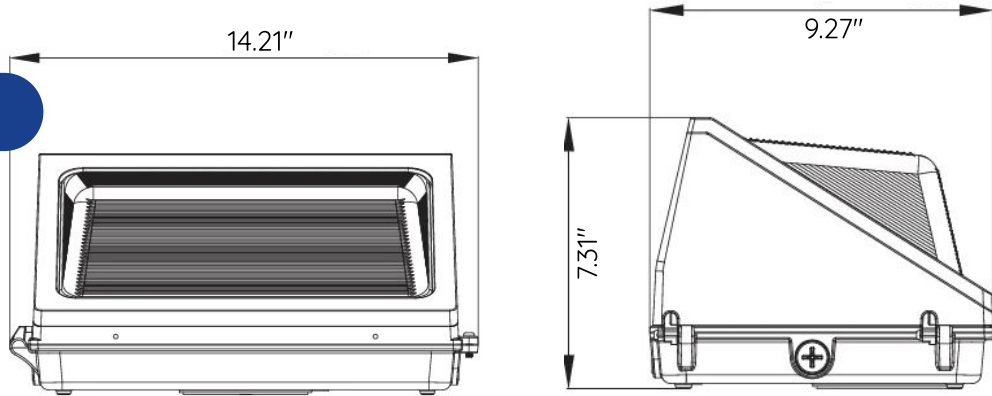
Part #: _____

Notes: _____

General Specifications

Housing Material	Aluminum Alloy	LED Chips	Philips Lumileds 3030
Warranty	5 Year Limited	Luminary Life	50,000 Hour Rated
Weight	40/60/80W-BZ	Dimensions	13.74" x 4.29" x 9.25"
	80/100/120W-BZ		
Dimming	0-10V Dimmable	Color Temperature	3000k, 4000k, 5000K
AC Input	AC 120-277V	IP Rating	IP65
Certifications	UL, DLC 5.1 Premium	Lens Type	Prismatic Glass
Lumens per Watt	40/60/80W-BZ	Total Lumens	40/60/80W-BZ
	80/100/120W-BZ		140 Lm/w
			80/100/120W-BZ
			11,200/14,000/16,800Lm

Dimensions



Applications

