



Job Name: _____

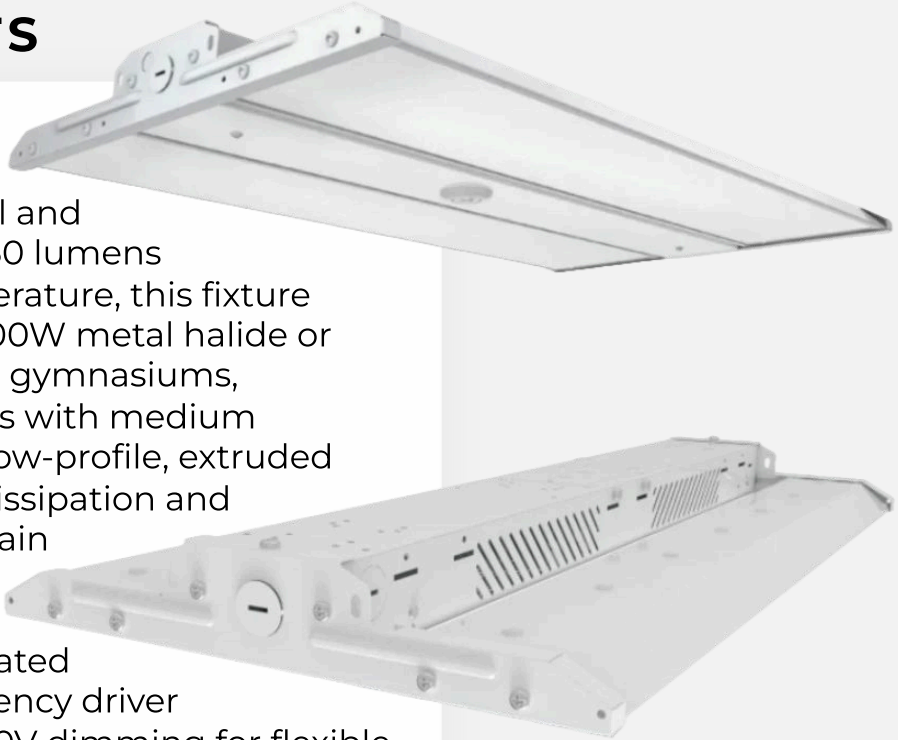
Type: _____

Part #: _____

Notes: _____

Color & Power **SELECTABLE** **LED Linear High Bay Fixture** **165/110/80 WATTS**

The ALS-T5K3-165/110/80W-2FT-5K-D is a high-efficacy LED linear high bay engineered for demanding commercial and industrial spaces. Delivering up to 24,750 lumens (150 lm/W) at a crisp 5000K color temperature, this fixture is a robust LED replacement for 400–600W metal halide or T5HO high bays —ideal for warehouses, gymnasiums, manufacturing, and distribution centers with medium to high ceilings. This model features a low-profile, extruded aluminum housing for excellent heat dissipation and durability. The fixture is designed for chain mounting (hardware included) and offers a wide, even light distribution. Optional pendant mount for the integrated junction box on the top. The high-efficiency driver operates on 120–277V and supports 0–10V dimming for flexible integration with lighting controls or building automation systems. The fixture is motion sensor ready (sensor sold separately).



Ordering Information

Example: ALS-T5K3-165/110/80W-2FT-5K-D



MODEL	Wattage
ALS-T5K3	165/110/80W-2FT-5K-D

Options - Shown on page 3

ALS-HD07VR-MH - Plug 'n Play Motion Sensor
ALS-T5K3-PM - Pendant Mount (with knockouts)
ALS-HB-RC - Motion Sensor Programing Remote



Job Name: _____

Type: _____

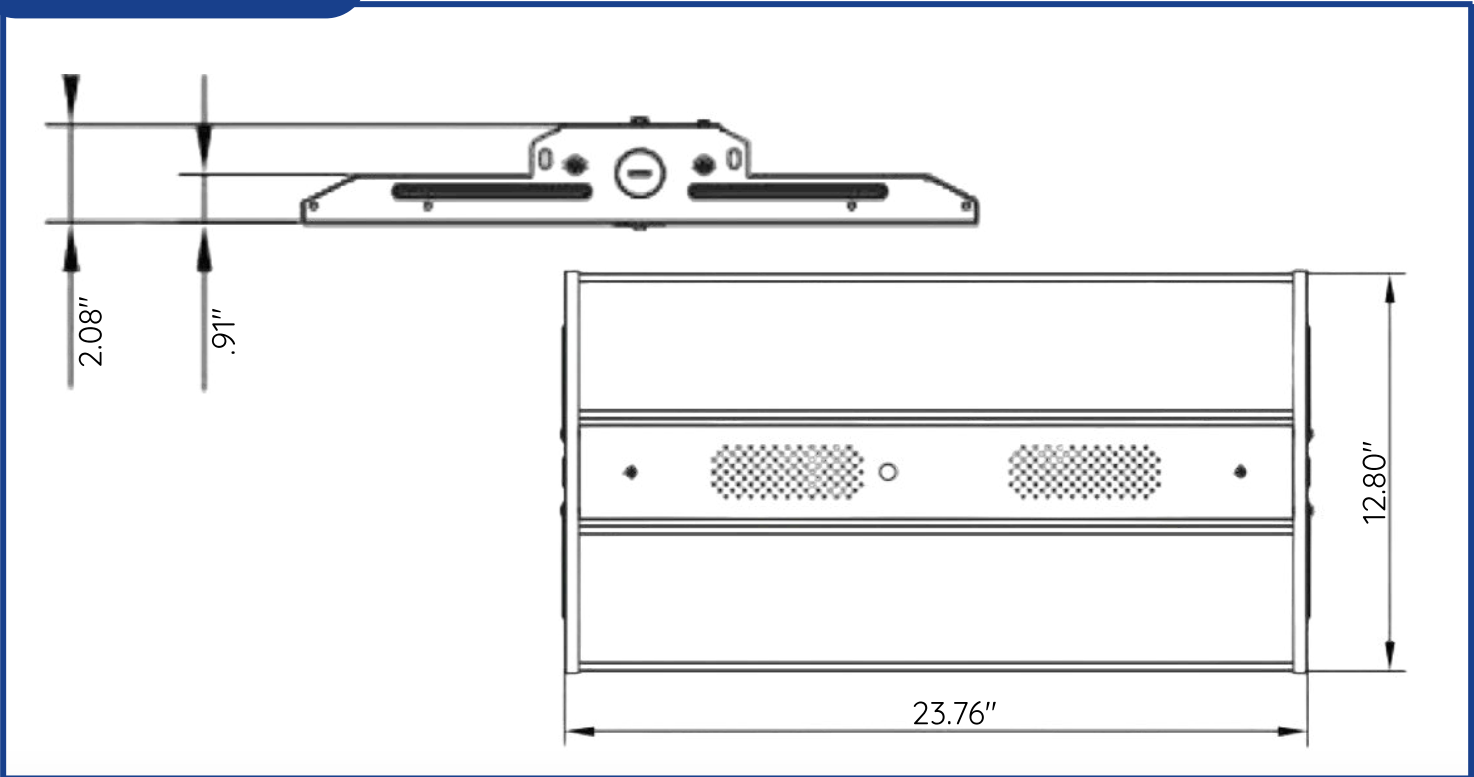
Part #: _____

Notes: _____

General Specifications

Efficacy	up to 150 Lm/w	Working Temperature	-40°F~113°F
AC Input	AC 120-277V	Housing Material	Aluminum Alloy
Finish	White Powder-Coat	Lens Type	Frosted/120
Dimming	0-10V Dimmable	LED Chips	SMD2835
Color Temperature	3000K, 4000K, 5000K	Certifications	UL, DLC
CRI	Ra 70	Distribution	90°
Weight	11.38 Lbs	Dimensions	23.76" x 12.80" x 2.08"
Luminary Life	50,000 Hour Rated	Warranty	5 Years

Dimensions



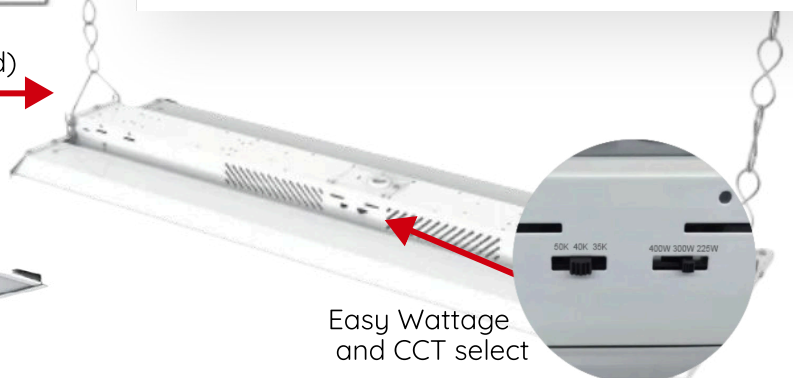


Job Name: _____

Type: _____

Part #: _____

Notes: _____

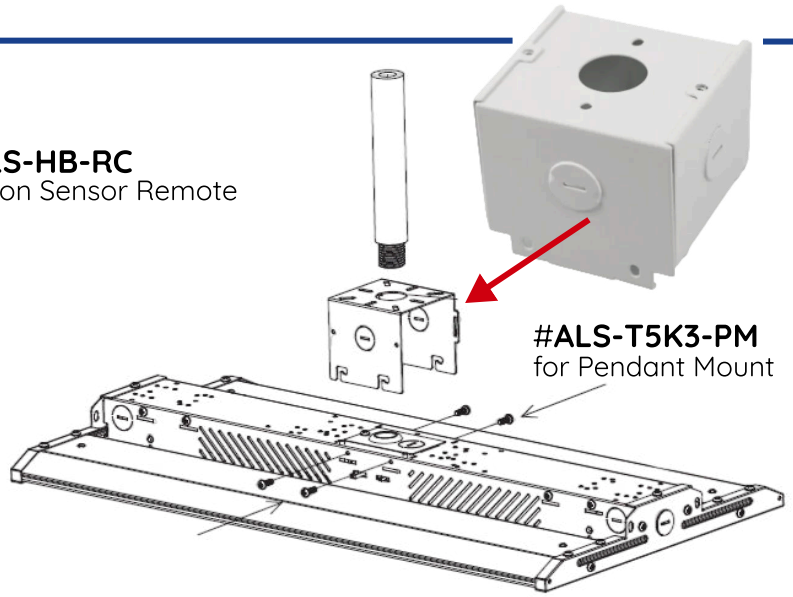


OPTIONS

#ALS-HD07VR-MH
Motion Sensor



#ALS-HB-RC
Motion Sensor Remote



Applications

