



Job Name: _____

Type: _____

Part #: _____

Notes: _____

8ft Color & Power **SELECTABLE** LED Strip Light with Motion Sensor

60/70/80 WATTS

The ALS-SLLB-60/70/80W-8FT-35/4/5K-MS is a versatile, wattage- and CCT-selectable 4-foot linear strip light engineered for commercial and industrial interiors where flexibility and efficiency are essential. Field-adjustable switches let you set the fixture to 60W, 70W, or 80W and to 3500K, 4000K, or 5000K color temperature, allowing one SKU to cover a wide range of applications. At its highest setting, the 80W mode delivers up to 10,400 lumens (130 lm/W), with the 70W and 60W settings providing approximately 9,160 and 7,800 lumens respectively. This makes the ALS-SLLB-60/70/80W-8FT-35/4/5K-MS a direct LED replacement for single- and double-lamp T8/T12 fluorescent strips - ideal for offices, corridors, retail, classrooms, and utility spaces. The fixture features a slim, white-finished housing and a high-transmission polycarbonate lens for uniform, glare-free illumination. It supports both surface and suspended mounting for flexible installation. The integrated motion sensor (MS) enables occupancy-based control to maximize energy savings. The high-efficiency driver operates on 120–277VAC, 50/60 Hz and supports 0–10V dimming for seamless integration with lighting controls. All power, CCT, and sensor settings are easily accessible for quick setup. Emergency backup is available as an option (not included by default).



Ordering Information

Example: ALS-SLLB-60/70/80W-8FT-35/4/5K-MS



MODEL	Wattage
ALS-SLLB	60/70/80W-8FT-35/4/5K-MS



Job Name: _____

Type: _____

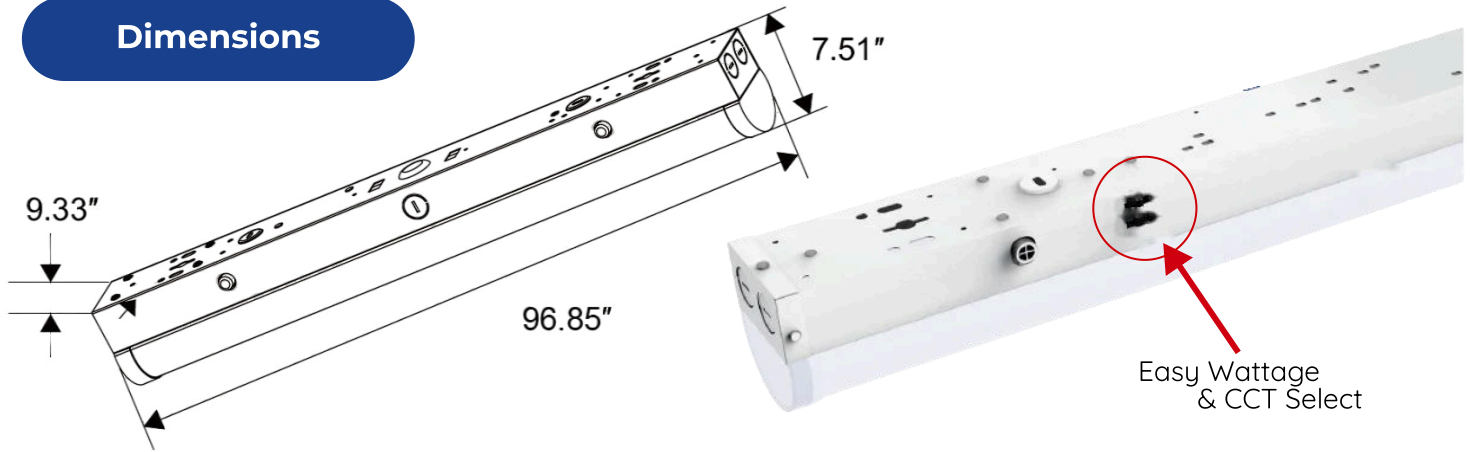
Part #: _____

Notes: _____

General Specifications

Wattage	60/70/80W	Lumens per Watt	130 Lm/w
Color Temperature	3500K, 4000K, 5000K	Total Lumens	7,800/9,100/10,400 Lm
AC Input	AC 120-277V	Housing Material	Die-casting Aluminum
Finish	White	Lens Type	Poly Carbonate
Dimming	0-10V Dimmable	LED Chips	Lumileds
CRI	≥80	Certifications	UL
Weight	6.25 Lbs	Dimensions	89.85" x 9.33" x 7.51"
Luminary Life	50,000 Hour Rated	Warranty	5 Years

Dimensions



Applications

