



Job Name: _____

Type: _____

Part #: _____

Notes: _____

Color SELECTABLE LED Area Lights

70/100/150W & 200/240/300 WATTS

This area light features outstanding photometric performance, uniform illumination, low-profile design, high efficacy, long lifespan, and easy installation.

The one piece die-cast aluminum housing with UV resistant powder coat finish offers outstanding corrosion protection. Ideal for use in various commercial environments, such as auto dealerships, parking lots, walkways, roadways, campuses, facade lighting, grocery stores and other public areas.



Ordering Information

Example: ALS-SB-P2-70/100/150W-3/4/5K-UV-T3-BZ

MODEL	Wattage	CCT	Voltage	Optics	Color
ALS-SB	70/100/150W	3/4/5K	UV - 120-277	T3 - Type III	BZ - Bronze
	200/240/300W		HV - 277-480 (Bronze Only)	T4 - Type IV T5 - Type V	WH - White BK - Black

Options	SEE PAGE 4
ALS-SB-SF - Type A Slip Fitter Mount ALS-SB-AA - Adjustable Arm Mount ALS-SB-TRUNNION - Type D Trunnion Mount ALS-SB-YOKE - Yoke Mount ALS-ALGS - Glare Shield ALS-SB-PC - Photocell	BZ - Bronze WH - White BK - Black



Job Name: _____

Type: _____

Part #: _____

Notes: _____

General Specifications

Frame Material	Cast aluminum design - better cooling	Life Span	over 50,000 hrs
Warranty	5 Year Limited	Distribution	Type III, Type IV, Type V
Outdoor Rating	Wet location/IP65	Efficacy	150LPW
Working Temperature	-40°F ~ 113°F	Driver Efficacy	90%
Storage Temperature	-40°F ~ 176°F	Power Factor	0.95
CRI	Ra 70	Input Voltage	AC120-277V / AC277-480V



WH - White



 **SUMMARY**

- High luminous efficiency and long working life.
- High efficiency LED Driver, the wide range input voltage AC120-277V/AC 277-480V.
- Die-cast aluminum cooling design, high quality and better cooling for LED Tj < 85°C
- Excellent optics design, greatly improve the light utilization and evenness.



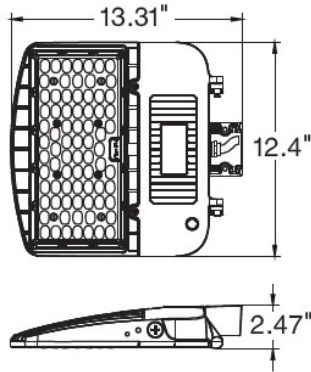
Job Name: _____

Type: _____

Part #: _____

Notes: _____

Dimensions & Weight

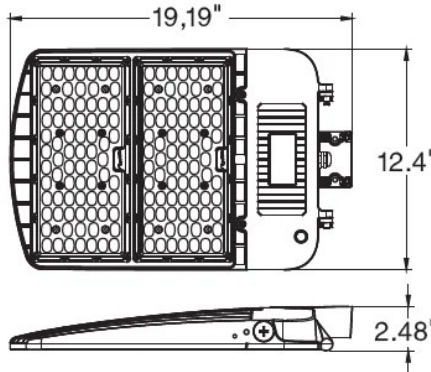


ALS-SB-P2-70/100/150W

Wattage: 70/100/150

CCT: 3000K, 4000K, 5000K

Total Lumens: 10,500/15,000/22,500lm



ALS-SB-P2-200/240/300

Wattage: 200/240/300

CCT: 3000K, 4000K, 5000K

Total Lumens: 30,000/36,000/45,000lm

Weight

Model	Net Weight	Packaged Weight
70/100/150W	7.14Lbs (3.24Kg)	8.80Lbs (3.99Kg)
200/240/300W	10.16Lbs (4.61Kg)	11.82Lbs (5.36Kg)





Job Name: _____
Type: _____
Part #: _____
Notes: _____

ACCESSORIES & MOUNTING BRACKETS



ALS-SB-SF-BZ



ALS-SB-AA-BZ



ALS-SB-TRUNNION-BZ



ALS-ALGS



ALS-SB-PC



ALS-SB-P2-YOKE

APPLICATIONS

