



Job Name: _____

Type: _____

Part #: _____

Notes: _____

Color & Power **SELECTABLE** LED ROUND HIGH BAY 150/120/80 WATTS

The White ALS-RHB9 UFO high bay with the ability to switch lumens and adjust CCT in one fixture, making it versatile enough to handle countless applications. ALS-RHB9 provides 150lm/w, which will assure the bright-ness meets the applications on and provides the amount of light you want and need for your area during install.

Standard with 0-10V dimming, sensor port for quick plug and play sensor install.

The fixture is DLC ULC listed also compatible with NLC system. Emergency battery backup is available.

IP65 rated products, suitable for commercial and industrial: Warehouses and storage, Industrial facilities, retail centers, manufacturing, sports facilities and gymnasiums.



Ordering Information

Example: ALS-RHB9-240/200/150-4/5K-BK

MODEL	Wattage	Finish
ALS-RHB9	150/120/80-4/5K 240/200/150-4/5K 320/240/200-4/5K	BK - Black

OPTIONS - Shown on page 2

- ALS-HD07VR-MH** - Plug 'n Play PIR Sensor
- ALS-HD06R** - Remote Control
- ALS-XUB-HBA-B** - Small Size U Bracket
- ALS-EMD-RHB-30W**- Emergency Driver Backup



Job Name: _____

Type: _____

Part #: _____

Notes: _____

General Specifications

Construction:

- ◆ Die-casting aluminum housing and heatsink for added durability.

Electrical:

- ◆ 0-10V dimmable driver. Which can dim from 100% down to off.
- ◆ Input voltage 120-277V, and 50/60Hz.
- ◆ Designed to withstand surges of up to L/N-PE:6kV
- ◆ Flicker-free
- ◆ 5ft (59") long power and 1ft (12") long dimming cord provided for easier installation.

Optics:

- ◆ Selectable CCT 4000K or 5000K (Default setting), CRI >80.
- ◆ Three distributions are available, Narrow, Medium (Standard) and Wide.

Finish:

- ◆ Black is standard.

Mounting:

- ◆ It comes standard with the G hook. The O hook, U bracket, and 3/4" NPS Threaded Pendant mount adapter are available. Safety hanging kit is standard.

Ambient Temperature:~

- ◆ -40°F (-40°C) to 122°F (50°C)

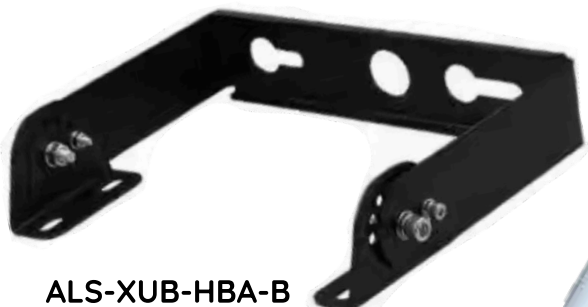
Compliances:

- ◆ cULus listed for wet locations, max ambient temperature rating 45°C
- DLC®(DesignLights Consortium) Qualified. Please refer to the DLC website for specific product qualifications at www.designlights.org

Warranty:

- ◆ 5-year limited warranty.

OPTIONS



ALS-XUB-HBA-B
Small Size U Bracket



ALS-HD06R
Remote Control



ALS-HD07VR
Plug 'n Play PIR Sensor
(Motion Sensor)



ALS-EMD-RHB-30W
Emergency
Driver Backup



Job Name: _____

Type: _____

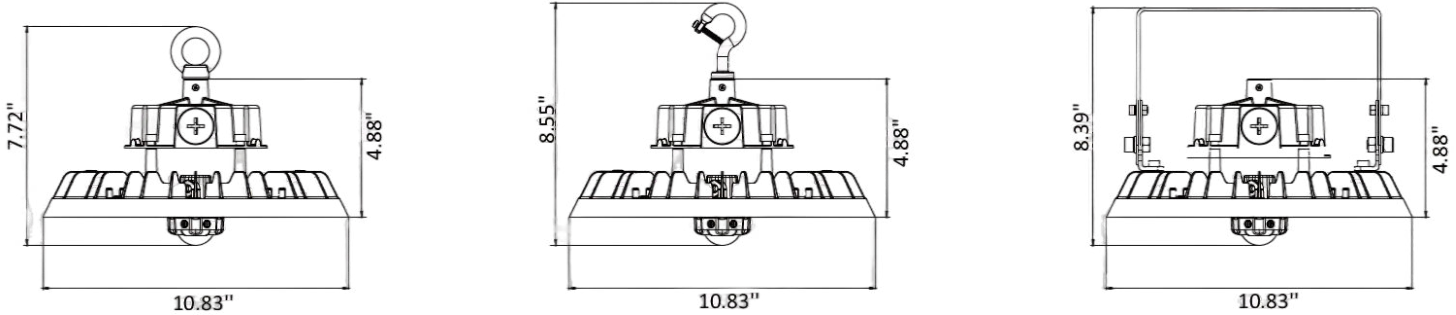
Part #: _____

Notes: _____

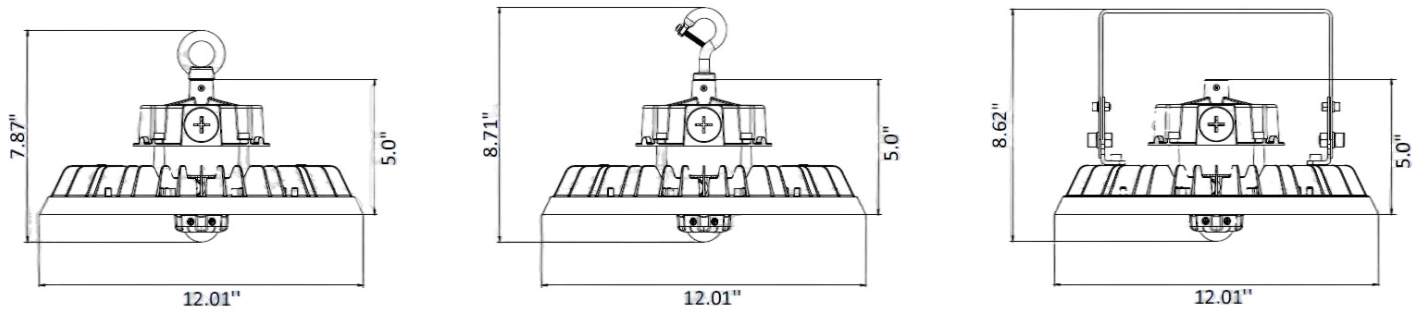
Dimensions

Shown with the different mounting options

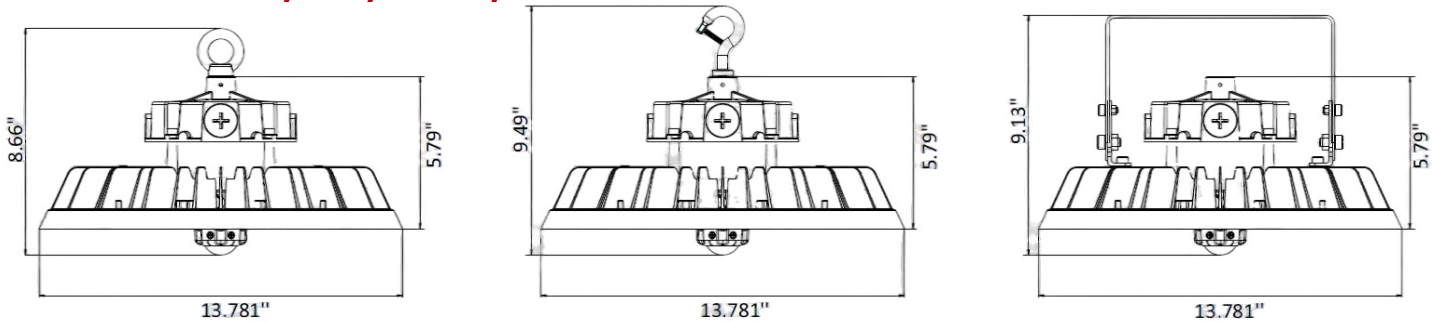
ALS-RHB9-150/120/80W-4/5-BK



ALS-RHB9-240/200/150-4/5K-BK



ALS-RHB9-320/240/200-4/5-BK



Applications

