



Job Name: _____

Type: _____

Part #: _____

Notes: _____

LEDUFO ROUND HIGH BAY

80W, 100W, 150W, 200W, 240W & 300W

The ALS-RHB8 is a dedicated-output, high-efficiency LED UFO high bay designed for reliable, high-output performance in commercial and industrial environments. Delivering up to 22,500 lumens (150 lm/W) at a crisp 5000K color temperature, this fixture is a robust LED replacement for metal halide high bays—ideal for warehouses, manufacturing areas, gymnasiums, and large retail spaces with medium to high ceilings. This model features a rugged, die-cast aluminum housing with powder coat finish for a clean, modern look and excellent heat dissipation. The compact, circular design supports both hook and pendant mounting, with a heavy-duty integrated hook for fast, secure installation. The polycarbonate lens provides a wide 110° beam angle for broad, uniform light distribution—perfect for open areas and racked aisles. The high-efficiency LED driver operates on 120–277V and supports 0–10V dimming for flexible integration with lighting controls or building automation systems.



Ordering Information

Example: ALS-RHB8-200W-5K-120-D-BK

MODEL	Wattage	Finish
ALS-RHB8	80W-5K-120-D	BK - Black WH - White
	100W-5K-120-D	
	150W-5K-120-D	
	200W-5K-120-D	
	240W-5K-120-D	
	300W-5K-120-D	

OPTIONS - Shown on page 2

- ALS-HDO7VR-MH - Plug 'n Play PIR Sensor
- ALS-HD06R - Remote Control
- ALS-EMD-RHB-30W- Emergency Driver Backup



Job Name: _____

Type: _____

Part #: _____

Notes: _____

General Specifications

Construction:

- ◆ ADC12 Die-cast aluminum housing

Electrical:

- ◆ 0-10V dimmable driver. Which can dim from 100% down to off.
- ◆ Input voltage 120-277V, and 50/60Hz.
- ◆ Designed to withstand surges of up to L/N-PE:6kV
- ◆ Flicker-free

Optics:

- ◆ Polycarbonate lens provides a wide 80°-110° beam angle.
- ◆ DLC 5.1 Premium with high luminous efficiency and low UGR

Operating Temperature:

- ◆ -40°F (-40°C) to 113°F (45°C)

Finish:

- ◆ Available in Black or White Powder Coat Finish

Mounting:

- ◆ It comes standard with the J hook. The O hook and 3/4" NPS Threaded Pendant mount adapter are available.

Compliances:

- ◆ cULus listed for wet locations, max ambient temperature rating 45°C
DLC®(DesignLights Consortium) Qualified. Please refer to the DLC website for specific product qualifications at www.designlights.org

Warranty:

- ◆ 5-year limited warranty.

Life Span:

- ◆ 50000 Hours

OPTIONS



ALS-HD06R
Remote Control



ALS-HD07VR
Plug 'n Play PIR Sensor
(Motion Sensor)



ALS-EMD-RHB-30W
Emergency
Driver Backup



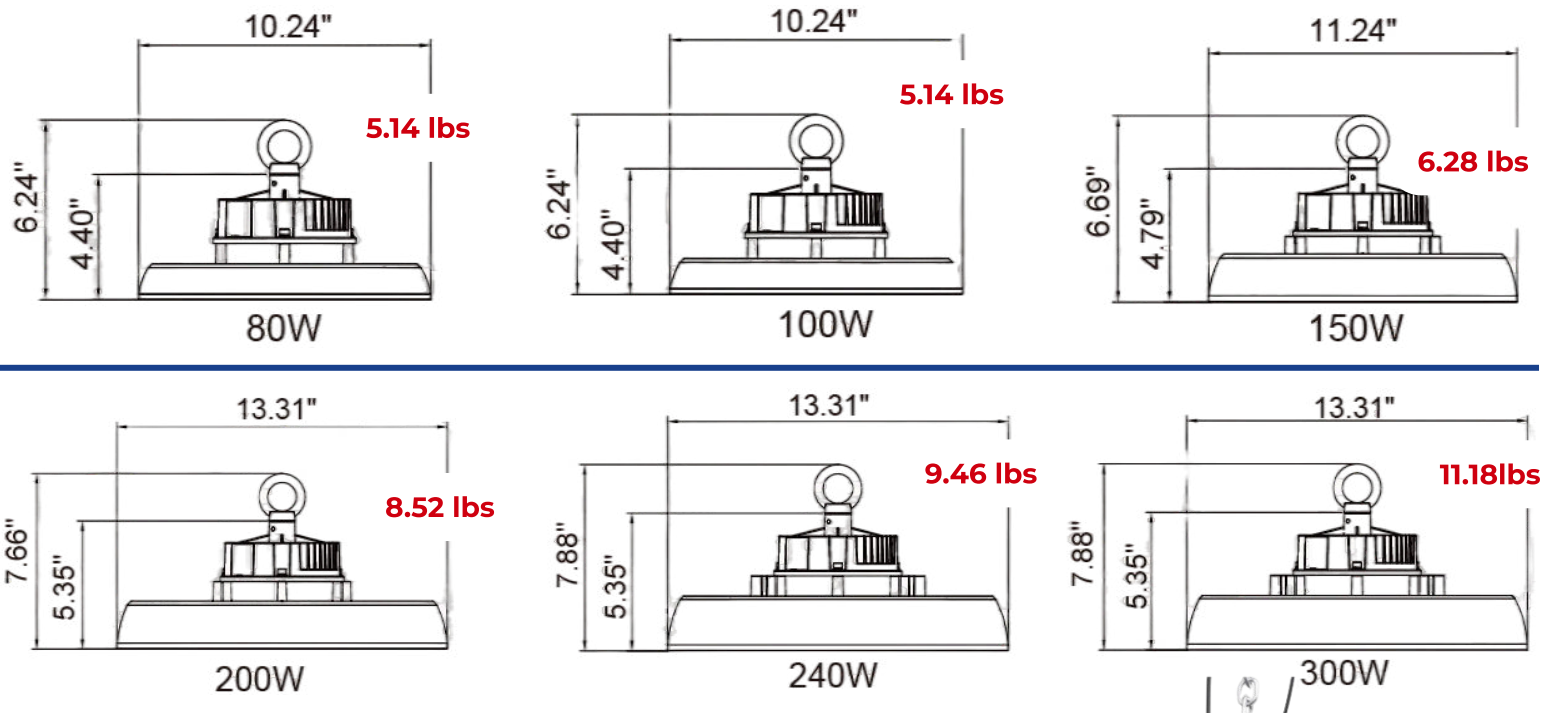
Job Name: _____

Type: _____

Part #: _____

Notes: _____

Weight & Dimensions



WITH OPTIONS



Shown with Plug 'n Play Motion Sensor

Shown with Emergency Back-up Driver



Applications

