



Job Name: _____

Type: _____

Part #: _____

Notes: _____

Color & Power **SELECTABLE** LED Backlit Flat Panel Lights

in 3 sizes 2'X2' - 1'X4' - 2'X4'

The ALS-PLBL Series LED Backlit Flat Panels

deliver exceptional performance, efficiency, and visual comfort for modern commercial and institutional environments. Designed with advanced backlit technology —making them an ideal solution for offices, schools, healthcare facilities, and retail spaces.

Advanced Backlit Technology: The ALS-PLBL series eliminates the need for edge-lit light guides, resulting in superior light uniformity, minimal shadowing, and enhanced fixture longevity.

Field Selectable Wattage & Color Temperature: Built-in multi-level wattage and CCT selectability allows for maximum flexibility in the field. Easily adjust light output and color temperature (typically 3500K / 4000K / 5000K) to suit application needs—reducing SKU count and simplifying inventory management.

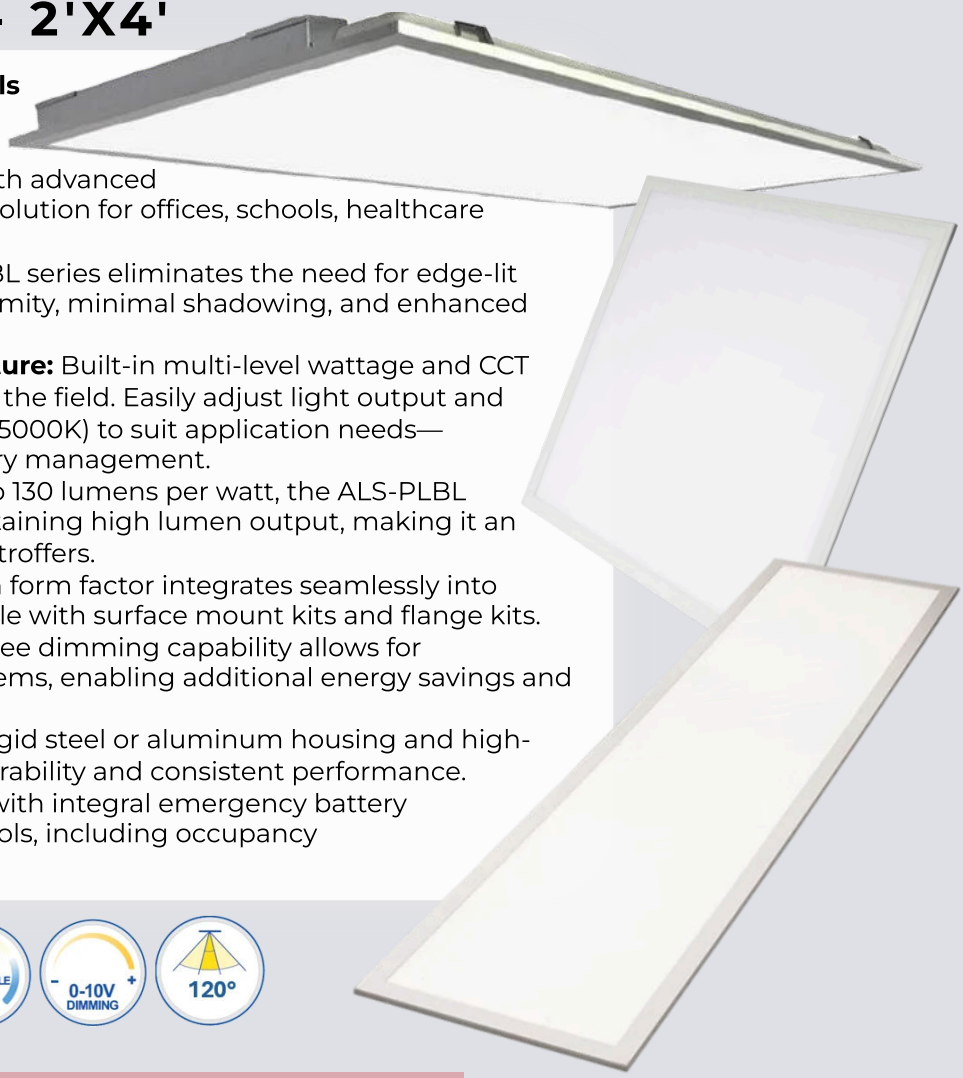
High Efficacy Performance: Delivering up to 130 lumens per watt, the ALS-PLBL series maximizes energy savings while maintaining high lumen output, making it an ideal replacement for traditional fluorescent troffers.

Slim, Low-Profile Design: The sleek, modern form factor integrates seamlessly into standard T-grid ceilings and is also compatible with surface mount kits and flange kits.

0-10V Dimming Standard: Smooth, flicker-free dimming capability allows for compatibility with most lighting control systems, enabling additional energy savings and customized lighting environments.

Durable Construction: Constructed with a rigid steel or aluminum housing and high-transmission diffuser, ensuring long-term durability and consistent performance.

Emergency & Controls Ready: Compatible with integral emergency battery backup options and advanced lighting controls, including occupancy sensors and daylight harvesting systems.



Ordering Information Example: ALS-PLBL-2X2-40W-5CCT

MODEL	Wattage	Emergency
ALS-PLBL	1X4-40W-5CCT 2X2-40W-5CCT 2X4-72W-5CCT	EM

OPTIONS (shown on page 4)	SIZE
Flange Kit - ALS-ACCS Surface Mount Kit - ALS-SMK	FRK1X4, FRK2X2, or FRK2X4 1X4, 2X2 or 2x4



Job Name: _____

Type: _____

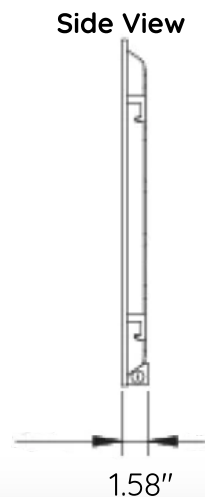
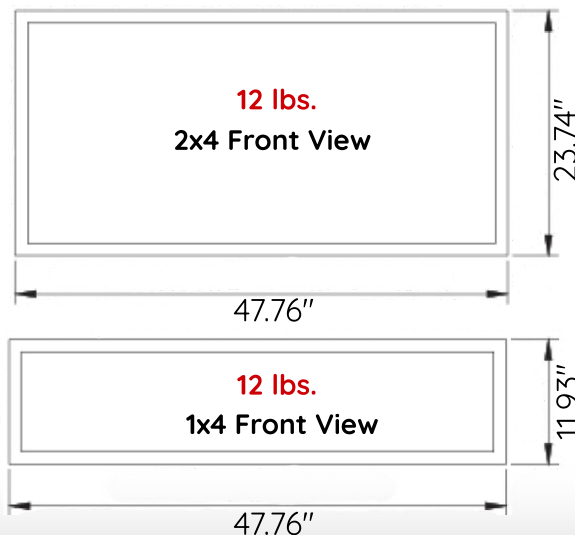
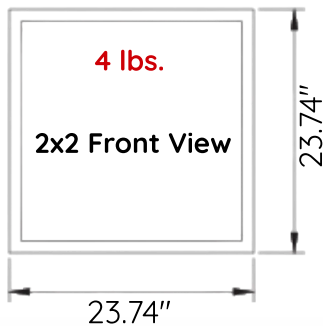
Part #: _____

Notes: _____

General Specifications

Model Number	ALS-PLBL-1X4-40W-5CCT	ALS-PLBL-2X2-40W-5CCT	ALS-PLBL-2X4-72W-5CCT
Size	1'x4'	2'x2'	2'x4'
Wattage	20W/25W/30W/35W/40W		30W/40W/50W/60W/72W
Lumens	5200 LM @40W		9360 LM @72W
AC Input	120-277 V		
Dimming	0-10V Dimmable		
CCT	30K/35K/40K/50K/65K Selectable		
CRI	≥80		
Power Factor	>0.9		
Beam Angle	110°		
Lumen per watt	130 Lm/W		
Working Temp	-13 ° F ~ +113 ° F / - 25°C ~ +45°C		
IP Rating	IP 20 - Indoor Only		
Housing Material	Aluminum, White		
Lens Type	Frosted		
Luminary Life	Lumen Maintenance over 70% @ 50,000+ Hours		
Warranty	5 Years		

Weight & Dimensions





Job Name: _____

Type: _____

Part #: _____

Notes: _____

Color & Power SELECTABLE

Easy Wattage
and CCT select

Slide switch for
color selection



Slide switch for
power selection



Applications





Job Name: _____

Type: _____

Part #: _____

Notes: _____

OPTIONS



Flange Kits

- #ALS-ACCS-FRK1x4 - 1' x 4'
- #ALS-ACCS-FRK2x2 - 2' x 2'
- #ALS-ACCS-FRK2x4 - 2' x 4'



Surface Mount Kits

- #ALS-SMK-1x4 - 1' x 4'
- #ALS-SMK-2x2 - 2' x 2'
- #ALS-SMK-2x4 - 2' x 4'



Emergency Back-up

#EM
(Add to end of selected fixture SKU)

90-Minute Emergency Illumination Time