



Job Name: \_\_\_\_\_

Type: \_\_\_\_\_

Part #: \_\_\_\_\_

Notes: \_\_\_\_\_

# Color & Power **SELECTABLE** **LED UP/DOWN CYLINDER LIGHT** 20/16/10 & 38/31/19 WATTS with **PhotoCell**

The ALS-CYL Cylinder Light is a sleek, modern lighting fixture that combines architectural elegance with functional versatility. It's streamlined cylindrical design provides both visual appeal and performance efficiency.

This light fixture offers versatile selection capabilities, including wattage and CCT selectable, distribution selectable and UP/DOWN selectable direction, allowing users to easily adjust settings to fit different environments and lighting needs.

With standard photocell, ensuring that you can effortlessly manage lighting conditions while maximizing energy efficiency.

Whether for kitchens, conference rooms, auditoriums, or exterior facades, the ALS-CYL Cylinder Light delivers a balanced mix of style, functionality, and superior illumination.

This type of cylinder light fixture has quickly become one of the most specified and in-demand products in today's lighting industry—and for good reason. It combines architectural appeal, energy efficiency, and design flexibility in a way that few other exterior fixtures can match.



**UPDN-20W-3/4/5K**



**UPDN-38W-3/4/5K**

## Ordering Information

**Example:** ALS-CYL-UPDN-20W-3/4/5K-3/4/5K-BZ-PC

MODEL	Wattage	Finish	Photocell
ALS-CYL	UPDN-20W-3/4/5K UPDN-38W-3/4/5K	BZ - Bronze BK - Black	PC



Job Name: \_\_\_\_\_

Type: \_\_\_\_\_

Part #: \_\_\_\_\_

Notes: \_\_\_\_\_

## General Specifications

### Construction:

- ◆ Heavy-gauge aluminum housing.

### Optics:

- ◆ CCT Selectable 3000K or 4000K or 5000K (Default setting).
- ◆ Proprietary optics delivers a true uniform, batwing distribution. Narrow and Wide distribution selectable.

### Electrical:

- ◆ 0-10V dimmable driver. The dimming wire is not led out from the fixture.
- ◆ Input voltage 120-277V, and 50/60Hz.

### Finish:

- ◆ Dark Bronze or Black color is standard, and customized color are available.

### Mounting:

- ◆ Wall mount is suitable for indoor or outdoor applications and easy to modify.

### Ambient Temperature::

- ◆ -40°F (-40°C) to 122°F (50°C)

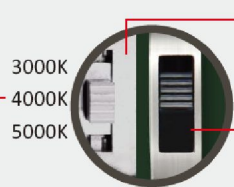
### Compliances:

- ◆ cULus listed for wet locations.

### Warranty:

- ◆ 5-year limited warranty.

## Color & Wattage Select



### CCT Setting

Adjust CCT between 3000/4000/5000K, 5000K default setting



### Distribution Setting

Switch	Distribution Selection	Default Setting
1	Full & Narrow Light	Full & Narrow Light
2	Up & Narrow + Down & Wide Light	
3	Up & Wide + Down & Narrow Light	
4	Full & Wide Light	



### Power Setting

Product Size	Power Selection (L1/L2/L3)	Default Setting
Size 1	Adjust power between 20/16/10W	20W default setting
Size 2	Adjust power between 38/31/19W	38W default setting

### Direction Setting

Adjust direction among Up/Full/Down, Full light default setting

Note: When adjusted to only single-sided lighting, the power is halved.



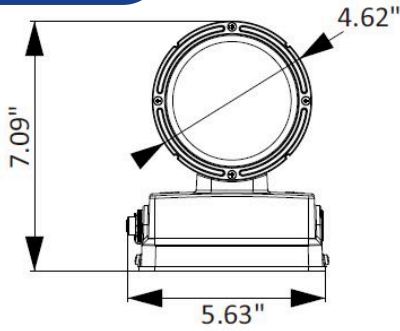
Job Name: \_\_\_\_\_

Type: \_\_\_\_\_

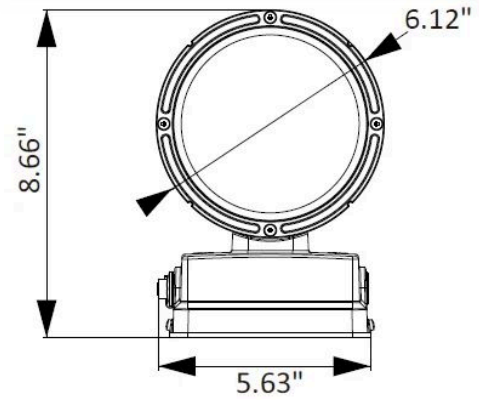
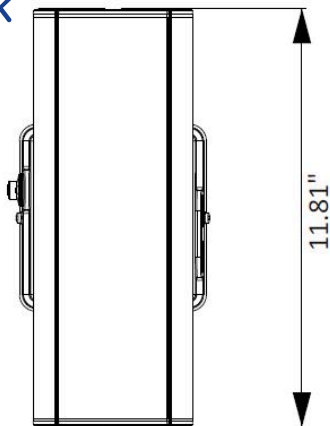
Part #: \_\_\_\_\_

Notes: \_\_\_\_\_

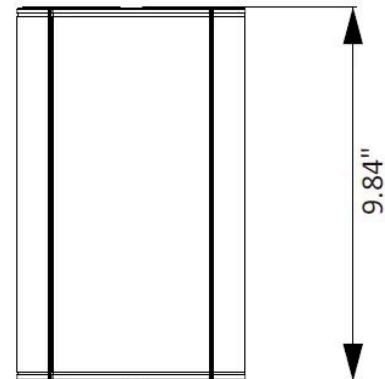
**Dimensions**



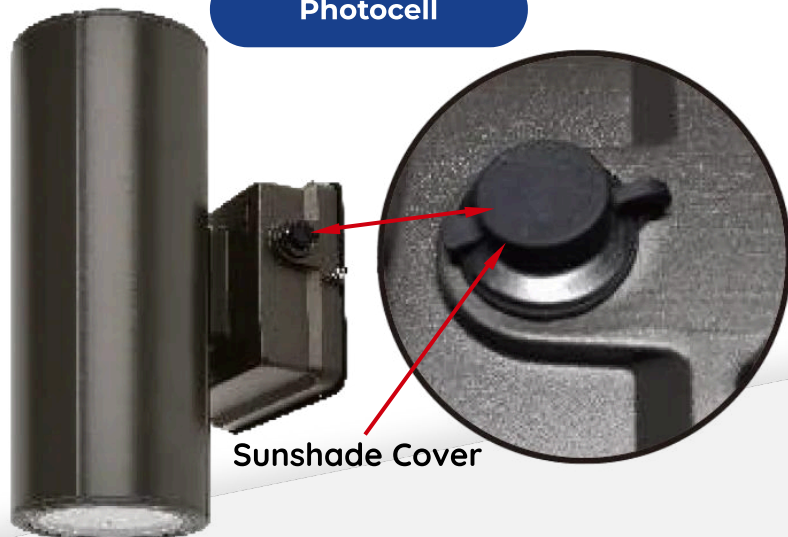
UPDN-20W-3/4/5K



UPDN-38W-3/4/5K



**Photocell**



(Remove the cover cap to enable the photocell function.)



Job Name: \_\_\_\_\_

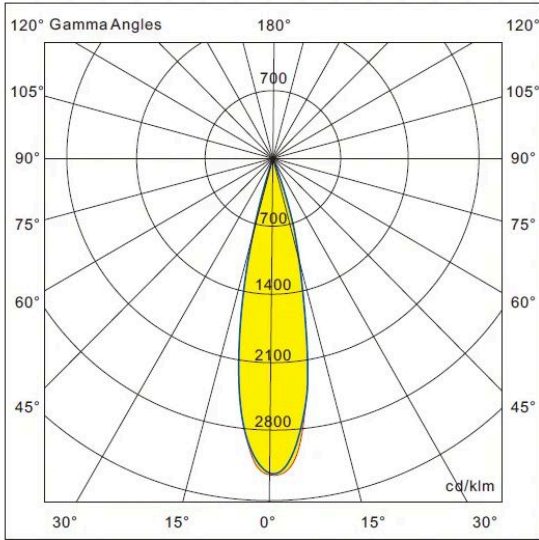
Type: \_\_\_\_\_

Part #: \_\_\_\_\_

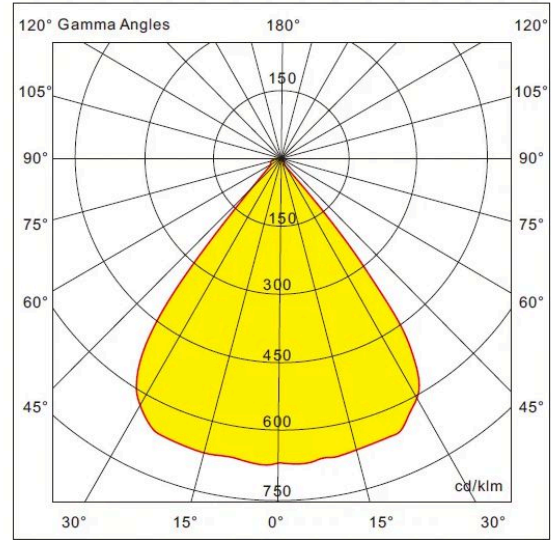
Notes: \_\_\_\_\_

## Photometrics

Note: Narrow and Wide distribution can be selected via the switch



Narrow



Wide

## Applications

